
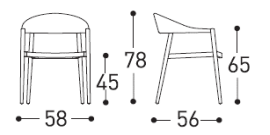
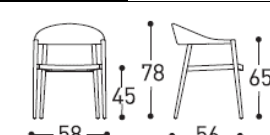
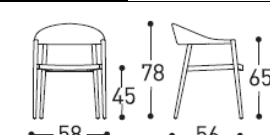




# CLEVER

Design R&S VARASCHIN

Powder coated aluminum frame, seats and backrest in VAR#TEX (PVC technical fabric). Synthetic cord back and texture seats also available. Optional cushion with Dryfeel foam padding for outdoor use.

 <p><b>Poltroncina Armchair</b></p> <p>4</p> <p>MODELLO REGISTRATO REGISTERED MODEL</p>	 <p><b>2295</b></p>	<table border="1"> <tr> <th>STRUTTURA STRUCTURE</th> <th>SEDUTA SEAT</th> <th>SCHIENALE BACK</th> </tr> <tr> <td>Grigio Seta Silk Grey</td> <td>VAR#TEX ACQUERELLO</td> <td>VAR#TEX ACQUERELLO</td> </tr> <tr> <td>Grigio Grey</td> <td>VAR#TEX CENERE</td> <td>VAR#TEX CENERE</td> </tr> </table>	STRUTTURA STRUCTURE	SEDUTA SEAT	SCHIENALE BACK	Grigio Seta Silk Grey	VAR#TEX ACQUERELLO	VAR#TEX ACQUERELLO	Grigio Grey	VAR#TEX CENERE	VAR#TEX CENERE	<table border="1"> <thead> <tr> <th>Pz</th> <th>L</th> <th>P</th> <th>H</th> </tr> </thead> <tbody> <tr> <td>1</td> <td>62</td> <td>62</td> <td>85</td> </tr> <tr> <td></td> <td>24 <sup>3</sup>/<sub>8</sub></td> <td>24 <sup>3</sup>/<sub>8</sub></td> <td>33 <sup>1</sup>/<sub>2</sub></td> </tr> <tr> <td colspan="4">m<sup>3</sup> 0,327 - Kg 7,2 tot.</td> </tr> <tr> <td colspan="4">Kg 4,0 net</td> </tr> <tr> <td colspan="4">Kg 0,5 cusc. extra</td> </tr> </tbody> </table>	Pz	L	P	H	1	62	62	85		24 <sup>3</sup> / <sub>8</sub>	24 <sup>3</sup> / <sub>8</sub>	33 <sup>1</sup> / <sub>2</sub>	m <sup>3</sup> 0,327 - Kg 7,2 tot.				Kg 4,0 net				Kg 0,5 cusc. extra			
	STRUTTURA STRUCTURE	SEDUTA SEAT	SCHIENALE BACK																																	
	Grigio Seta Silk Grey	VAR#TEX ACQUERELLO	VAR#TEX ACQUERELLO																																	
Grigio Grey	VAR#TEX CENERE	VAR#TEX CENERE																																		
Pz	L	P	H																																	
1	62	62	85																																	
	24 <sup>3</sup> / <sub>8</sub>	24 <sup>3</sup> / <sub>8</sub>	33 <sup>1</sup> / <sub>2</sub>																																	
m <sup>3</sup> 0,327 - Kg 7,2 tot.																																				
Kg 4,0 net																																				
Kg 0,5 cusc. extra																																				
 <p><b>2293</b></p>	<table border="1"> <tr> <th>STRUTTURA STRUCTURE</th> <th>SEDUTA SEAT</th> <th>SCHIENALE BACK</th> </tr> <tr> <td>Bianco White</td> <td>VAR#TEX BIANCO</td> <td>Cordino Rope VAR#TEX BIANCO</td> </tr> <tr> <td>Grigio Seta Silk Grey</td> <td>Texture Perla</td> <td>Cordino Perla Perla Rope</td> </tr> <tr> <td>Grigio Grey</td> <td>Texture Grey Brown</td> <td>Cordino Grey Brown Grey Brown Rope</td> </tr> </table>	STRUTTURA STRUCTURE	SEDUTA SEAT	SCHIENALE BACK	Bianco White	VAR#TEX BIANCO	Cordino Rope VAR#TEX BIANCO	Grigio Seta Silk Grey	Texture Perla	Cordino Perla Perla Rope	Grigio Grey	Texture Grey Brown	Cordino Grey Brown Grey Brown Rope	<table border="1"> <tr> <td>istruzioni d'uso using instruction</td> <td>IGSED</td> </tr> <tr> <td>telo copertura cover</td> <td>9467C</td> </tr> </table>	istruzioni d'uso using instruction	IGSED	telo copertura cover	9467C																		
STRUTTURA STRUCTURE	SEDUTA SEAT	SCHIENALE BACK																																		
Bianco White	VAR#TEX BIANCO	Cordino Rope VAR#TEX BIANCO																																		
Grigio Seta Silk Grey	Texture Perla	Cordino Perla Perla Rope																																		
Grigio Grey	Texture Grey Brown	Cordino Grey Brown Grey Brown Rope																																		
istruzioni d'uso using instruction	IGSED																																			
telo copertura cover	9467C																																			
 <p><b>2293H</b></p>																																				
<table border="1"> <tr> <td><b>TEST</b></td> <td><b>ART.</b> 2295 2293</td> <td>                     - Rispetta i requisiti generali di sicurezza della EN 581-1:2017 ed i requisiti meccanici di sicurezza per l'uso collettività della EN 581-2:2015 previsti per i mobili per esterno. Dichiarazione conformità n° 11945/2017                      - Compliant with general security requirements of EN 581-1:2017 and mechanical security requirements for contract use of EN 581-2:2015 for outdoor use. Declaration of conformity n° 11945/2017                 </td> </tr> </table>	<b>TEST</b>	<b>ART.</b> 2295 2293	- Rispetta i requisiti generali di sicurezza della EN 581-1:2017 ed i requisiti meccanici di sicurezza per l'uso collettività della EN 581-2:2015 previsti per i mobili per esterno. Dichiarazione conformità n° 11945/2017 - Compliant with general security requirements of EN 581-1:2017 and mechanical security requirements for contract use of EN 581-2:2015 for outdoor use. Declaration of conformity n° 11945/2017																																	
<b>TEST</b>	<b>ART.</b> 2295 2293	- Rispetta i requisiti generali di sicurezza della EN 581-1:2017 ed i requisiti meccanici di sicurezza per l'uso collettività della EN 581-2:2015 previsti per i mobili per esterno. Dichiarazione conformità n° 11945/2017 - Compliant with general security requirements of EN 581-1:2017 and mechanical security requirements for contract use of EN 581-2:2015 for outdoor use. Declaration of conformity n° 11945/2017																																		

## STRUCTURAL COMPONENTS

POWDER COATED ALUMINUM FRAME, SEATS AND BACKREST IN VAR#TEX (PVC TECHNICAL FABRIC). SYNTHETIC CORD BACK AND TEXTURE SEATS ALSO AVAILABLE. QUICK DRY POLYURETHANE PADDING IN SEVERAL DENSITIES. REMOVABLE CUSHION COVER.

## CHARACTERISTICS OF THE MATERIALS

CHARACTERISTICS OF THE MATERIALS AND FABRICS ARE DESCRIBED IN THE WEBSITE [www.varaschin.it](http://www.varaschin.it) FOLDER "MATERIALS" AND YOU CAN DOWNLOAD FROM FOLDER "DOWLOAD-MATERIALS".

## INSTRUCTIONS FOR USING THE PRODUCT PROPERLY AND SAFELY

VARASCHIN IS NOT LIABLE FOR DAMAGE CAUSED BY IMPROPER USE. THE SAME APPLIES TO DAMAGE DERIVING FROM USE IN EXTREME WEATHER CONDITIONS OR LACK OF CARE. TIPS FOR EXTENDING LONGEVITY OF COMPONENTS: DURING THE WINTER STORE IN A DRY AND CLOSED PLACE TO AVOID CONDENSATION. DO NOT STEP ON WITH FEET. DO NOT SWING BACK AND FORTH ON THE LEGS. DO NOT SIT ON THE BACK OR ON ARMS. DO NOT USE AS A LADDER. BUTTONS AND THE ZIPPERS OF CLOTHING MAY CAUSE DAMAGE TO THE MATERIALS. IF NECESSARY, PLEASE CONTACT VARASCHIN SPA.

## GENERAL INSTRUCTIONS FOR MAINTENANCE AND CLEANING

FOR DAILY CLEANING USE A DRY COTTON CLOTH. FOR MORE THOROUGH CLEANING USE ONLY A NEUTRAL PRODUCT DILUTED IN WARM WATER. NEVER USE ALCOHOL, AMMONIUM, THINNERS OR ABRASIVE PRODUCTS. IN MARINE ENVIRONMENTS ARTICLE SHOULD BE WEEKLY WHASED WITH FRESH WATER. FOR CLEANING AND TAKING CARE OF ALL MATERIALS AND FABRICS, SEE THE FOLDER "DOWNLOAD-MAINTENANCE" FROM OUR WEBSITE [www.varaschin.it](http://www.varaschin.it) OR ASK FOR IT VIA E-MAIL AT [customercare@varaschin.it](mailto:customercare@varaschin.it).

## GENERAL INFORMATION

N.B.: VARASCHIN SPA GUARANTEES THAT THE PRODUCT IS MADE OF QUALITY MATERIALS, USING THE BEST TECHNOLOGIES IN THE TRADE. THE COMPANY DECLINES ALL AND ANY LIABILITY FOR DAMAGE TO PERSONS AND/OR THINGS DUE TO IMPROPER USE OF THE PRODUCT. IF IN DOUBT PLEASE CONTACT THE MANUFACTURER.

## DISPOSAL

PLEASE DO NOT JUST THROW OUT THE PIECE OF FURNITURE OR ANY PART OF IT. AT THE END OF ITS USE, PROVIDE FOR THE RECYCLING OR DISPOSAL OF THE COMPONENTS IN THE APPROPRIATE AREAS.

## FIRE-FIGHTING MEASURES

ALTHOUGH THE PRODUCT IS NOT INFLAMMABLE, IT IS COMBUSTIBLE. THERE ARE NO RESTRICTIONS ON THE TYPES OF EXTINGUISHERS: POWDER, WATER, FOAM OR CO2. USE SUITABLE PROTECTION TO AVOID BREATHING IN FUMES. DURING DISPOSAL TAKE SPECIAL CARE TO PROTECT THE RESPIRATORY SYSTEM.

## PRODUCT WARRANTY

REFER TO ARTICLE 3 "PRODUCT WARRANTY" PUBLISHED ON SALES CONDITIONS, DOCUMENTS OF SALE, WEBSITE [www.varaschin.it](http://www.varaschin.it)

**TECHNICAL INFO SHEET:** This product information sheet complies with Italian Legislative Decree No. 206 of 6 September 2005, "Consumer Code".

The information given above refers to the latest data published in the price list. The company reserves the right to alter the models without notice.

COMPANY WITH SYSTEM MANAGEMENT QUALITY CERTIFIED **UNI EN ISO 9001: 2015**